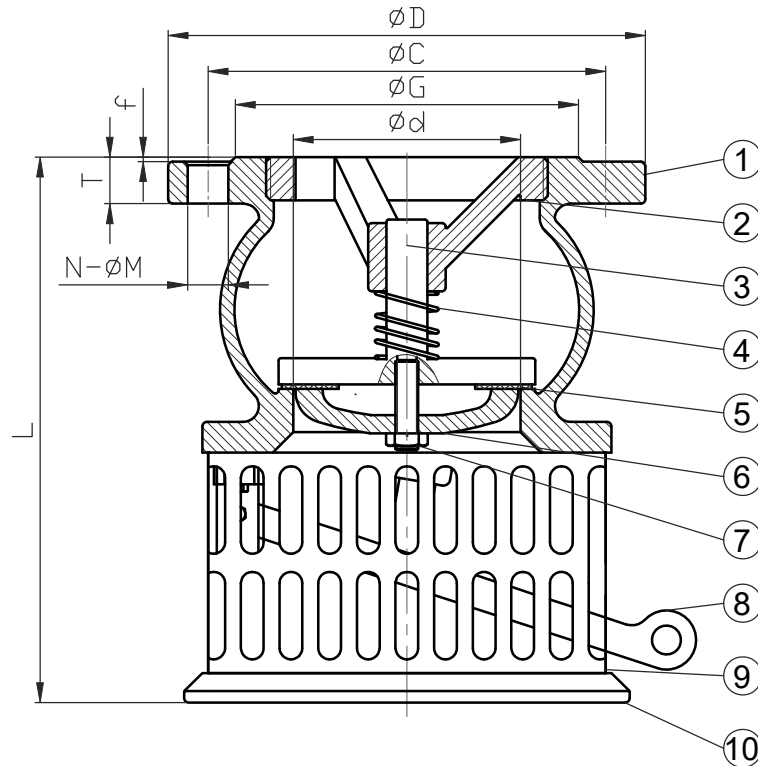


FEATURES:

- END FLANGE DIMENSIONS: ASME B16.5
- INVESTMENT CASTING BODY
- LEVER TYPE / FULL PORT

MATERIALS LIST:

NO.	PART NAME	MATERIAL	
1	BODY	CF8	CF8M
2	CAP	CF8	CF8M
3	DISC	CF8	CF8M
4	SPRING	SUS304	
5	DISC SEAT	NBR	
6	GLAND	CF8	CF8M
7	BOLT	SUS304	
8	LEVER HANDLE	CF8	CF8M
9	SCREEN	SUS304	
10	PLATE	CF8	CF8M



DIMENSIONS:

SIZE	d	D	C	G	T	N-ØM	L
2"	50	152	120.5	92	15.9	4-Ø19	190
2 1/2"	65	178	139.5	105	17.5	4-Ø19	200
3"	80	190	152.5	127	19.1	4-Ø19	220
4"	100	229	190.5	157	23.9	8-Ø19	240
5"	125	254	216.0	186	23.9	8-Ø22	260
6"	150	279	241.5	216	25.4	8-Ø22	280
8"	200	343	298.5	270	28.6	8-Ø22	390



DIE ERSTE INDUSTRY CO., LTD,
TAICHANG, TAIWAN

SHEET 1 OF 1		DRWN BY: ANGELA 19/04/17	REVIEW BY:	APPROVAL:	UNIT: mm	DO NOT SCALE DRAWING	TITLE: FOOT VALVE FLANGE END ANSI-150LB	REV 2.0
REMARK					PROJECT ⚠	DWG. NO.		