

Features:

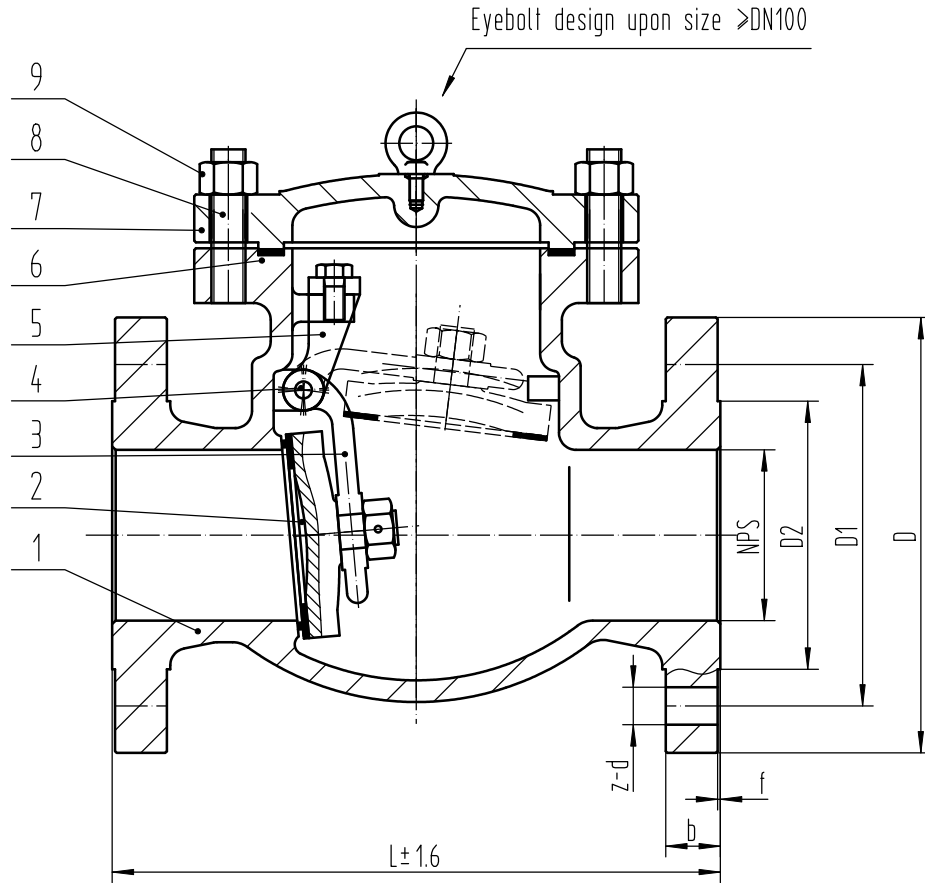
- 1. Design standard: API 602
- 2. Face to face: ASME B16.10
- 3. Flange ends: ASME B16.5
- 4. Test & inspection: API 598

SPECIFICATION			
Pressure	ANSI Class 150LB		
Pressure test	Shell (hydrostatic)	3.0	Mpa
	Seat (hydrostatic)	2.2	
Application Temp.	-29° C ~ 325° C		

Main Dimension(mm)

Item Code	L	D	D1	D2	K	b	f	z-d
H44W-150Lb-1"	127	108	79.5	51	17	12	1.6	4-15
H44W-150Lb-1½"	165	127	98.5	73	31	15	1.6	4-15

9	GB/T 16674.1-2004	Bolt	/	SS304		
8	H44W-150Lb-07	Base plate	/	B462 N08020		
7	WSV006-2008	Gasket	/	Alloy 20+Graphite		
6	H44W-150Lb-06	Lifting hook	/	B462 N08020		
5	H44W-150Lb-05	Pin	/	B462 N08020		
4	H44W-150Lb-04	Arm	/	B462 N08020		
3	H44W-150Lb-03	Disc	/	B462 N08020		
2	H44W-150Lb-02	Seat	/	B462 N08020		
1	H44W-150Lb-01	Body	/	A351 CN7M		
NO.	CODE	MAIN PARTS	QTY	MATERIAL	REMARKS	
M					2018.08.17	
SALES	DRAWN	ASSESS	AUTHORIZE	REV.	DATE	
DRW. NO.	H44W-150LB	Ref. No.				
NOTES						
WEIDOU LI VALVES CO., LTD.						
					DESCRIPTION	DRAWING
					SWING CHECK VALVE, 150LB A351 CN7M MATERIAL	<p>Weidouli special valve</p>



Main dimension(mm)

Item code	L	D	D1	D2	b	f	z-d
H44H-150Lb-2"	203	152	120.5	92	16	1.6	4-19
H44H-150Lb-2-1/2"	216	178	139.5	105	18	1.6	4-19
H44H-150Lb-3"	241	190	152.5	127	19	1.6	4-19
H44H-150Lb-4"	292	229	190.5	157	24	1.6	8-19
H44H-150Lb-5"	330	254	216	186	24	1.6	8-22
H44H-150Lb-6"	356	279	241.5	216	26	1.6	8-22
H44H-150Lb-8"	495	343	298.5	270	29	1.6	8-22

Features:

1. Design standard: BS 1868
2. Face to face: ASME B16.10
3. Flange ends: ASME B16.5
4. Test & inspection: API 598



SPECIFICATION			
Pressure	Class	150lb	
Pressure test	Shell (hydrostatic)	3.0	Mpa
	Seat (hydrostatic)	2.2	
Application Temp.		-29° C ~ 325° C	

9	GB/T 6170-2000	Nut	/	SS304		
8	GB/T 901-1988	Stud	/	SS304		
7	H44W-150Lb-06	Bonnet	/	A351 CN7M		
6	WSV006-2008	Gasket	/	Alloy 20+Graphite		
5	H44W-150Lb-05	Locating plate	/	A351 CN7M		
4	H44W-150Lb-04	Pin	/	B462 N08020		
3	H44W-150Lb-03	Arm	/	A351 CN7M		
2	H44W-150Lb-02	Disc	/	A351 CN7M		
1	H44W-150Lb-01	Body	/	A351 CN7M		
NO.	CODE	MAIN PART	QTY	MATERIAL	REMARKS	
M					2018.08.17	
SALES	DRAWN	ASSESS	AUTHORIZE	REV.	DATE	
DRW. NO.	H44W-150LB		Ref. No.			
NOTES						
WEIDOU LI VALVES CO., LTD.						
				DESCRIPTION		DRAWING
				SWING CHECK VALVE		 Weidouli special valve
				150LB, A351 CN7M MATERIAL		