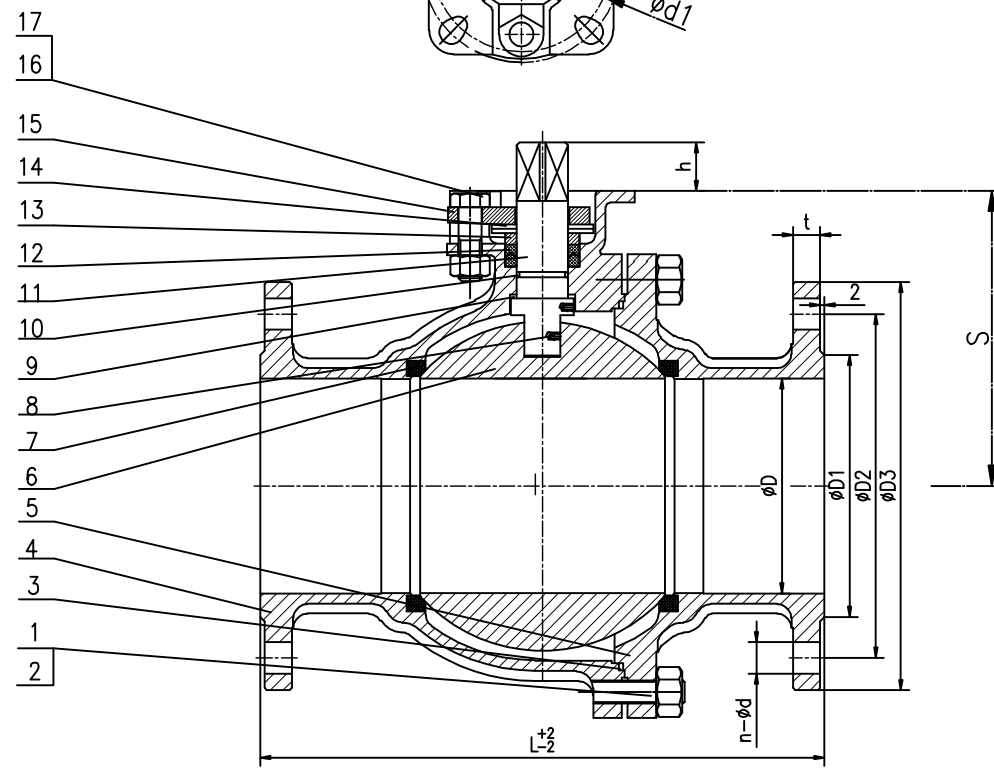


Performance Table		
Nominal pressure		150LB
T E S T	Strength test	3.0
	Seal test	2.2
	Air seal test	0.4~0.7
Applicable temperature:		-29°C~150°C
Applicable Medium:		water, oil, gas



NPS	DN	D	L	S	h	De	De	De	di	di	t	n-ød	ISO5211
4"	100	98	229	145	19	157.2	190.5	230	70	102	22.3	8-ø19.1	F07/F10
3"	80	78	203	114	17	127	152.4	190	70	102	22.3	4-ø19.1	F07/F10
2 1/2"	65	65	190	104	17	104.8	139.7	180	70	102	20.7	4-ø19.1	F07/F10
2"	50	50	178	85	14	92.1	120.7	150	50	70	17.5	4-ø19.1	F05/F07
1 1/2"	40	38	165	75	14	73	98.4	125	50	70	15.9	4-ø15.9	F05/F07
1 1/4"	32	32	140	62	11	63.5	88.9	115	42	50	14.3	4-ø15.9	F04/F05
1"	25	25	127	58	11	50.8	79.4	110	42	50	12.7	4-ø15.9	F04/F05
3/4"	20	20	117	53	7	42.9	69.9	100	36	42	11.2	4-ø15.9	F03/F05
1/2"	15	15	108	48	7	34.9	60.3	90	36	42	9.6	4-ø15.9	F03/F05

17	hexagon nut	2	201/304
16	hexagon bolt	2	201/304
15	packing	1	WCB/CF8/CF8M
14	disc spring	2	SS
13	packing gland	1	304/316
12	packing	1	PTFE/RPTFE
11	stem	1	304/316
10	O ring	1	VITON
9	thrust washer	1	PTFE/RPTFE
8	spring	2	SS
7	seat	2	PTFE/RPTFE
6	ball	1	304/316
5	CAP	1	WCB/CF8/CF8M
4	BODY	1	WCB/CF8/CF8M
3	seal	1	PTFE
2	hexagonal screw		201/304
1	bolt		201/304
NO	NAME		Material

Technical Specification

1. Design and manufacture: ASTM B16.34
2. Test and Inspection: API598
3. Face to face: ASTM B16.10
4. Flange: ASTM B16.5
5. After test, empty the medium, dry

Q41F-150LB		Assembly drawing
2PC high mounting pad ball valve		
Q41F-150LB-00		